

THERMO-SCAN Face X2

All-In-One PC

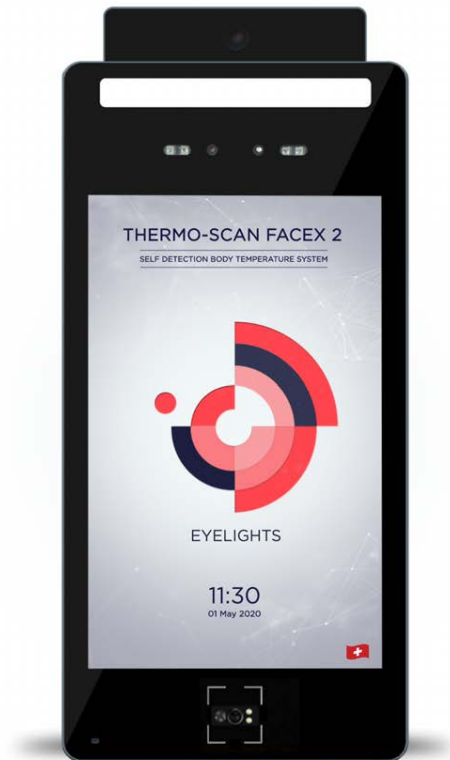
TECHNICAL SHEET

DIRECTORY

1. Product Overview.....	3
2. Specification.....	6
3. Size.....	9
4. Mounting type.....	11
5. About US.....	13

1. Product Overview

THERMO-SCAN Face X2 Adopts RK3399 six-core 64-bit“server-level”processor, frequency up to 1.8 GHz, integrates quad-core Mali-T860 GPU. It supports multi-format video coding and decoding, and has better processing performance.



A. High performance Processor

Adopts RK3399 six-core 64-bit“server-level”processor, frequency up to 1.8 GHz, integrates quad-core Mali-T860 GPU. It supports multi-format video coding and decoding, and has better processing performance.

B. Quick Recognition, Accurate Verification

It matches multiple face recognition algorithms well and has a high response and detection speed. Its recognition speed is less than 200ms and recognition accuracy is more than 99.77%.

B. Support Multiple Recognition Modes

Maximum supports identify 100,000 face database and multiple recognition modes(1:1, 1: N, M: N) to realize multi-person recognition and detection at the same time easily.

D. Card-swiping Recognition

It can recognize ID card and IC card accurately, realizing ID-selfie matching, card-swiping gate access control and attendance checking. It can be applied to gate access control in residential areas, check on work attendance and high-speed rail ticket check, etc

E. High Quality IPS HD Screen

With 8-inch fully fitted IPS screen, 800x1280 resolution, full-view HD display, vivid color reproduction, clear and smooth picture. It supports multi-touch and which is sensitive and stable.

F. High performance thermal camera

Advanced thermal imaging camera designed for THERMO-SCAN Face X2. Thermal sensor with high sensitivity and a wide 32 degree field of view. Offering unprecedented high resolution thermal imaging capabilities.

G. Dual-track Speaker

With the inbuilt dual-track speaker, it supports TTS voice broadcast which can intelligently translate words into natural speech flows in real-time. It can be applied to the Human-Computer Interaction scenes like voice broadcast and voice reminder.

H. Aluminum Waterproof Case

Equipped with an all-aluminum alloy case which through 38 process flows and features a matte surface. The case conducts heat effectively despite its fanless design. It can run steadily 7x24 hours when aging at a high temperature of 60°C. With the dust-proof and waterproof level of IP54, it can effectively avoid the damage of the splashing water in all directions and thus meet the requirements for use of indoor and outdoor environment.

H. Code scanning Recognition

It supports the fast recognition of scanning mainstream QR codes and bar codes. It can be applied to check-stand scanning, ticket scanning and payment scanning, etc.

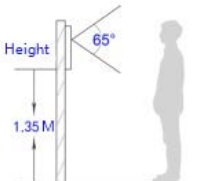
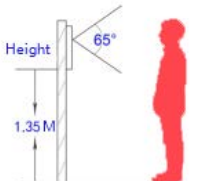


I. Rich Expansion Interfaces

It supports various expansion interfaces like Wiegand 26/34 input and output, RS232, RS485, relays, Ethernet, USB HOST and USB OTG..

J. Applications

Widely applicable to office buildings, residential areas, campuses, construction sites, factories and other scenes which require gate access control, attendance checking and face-scanning payment.

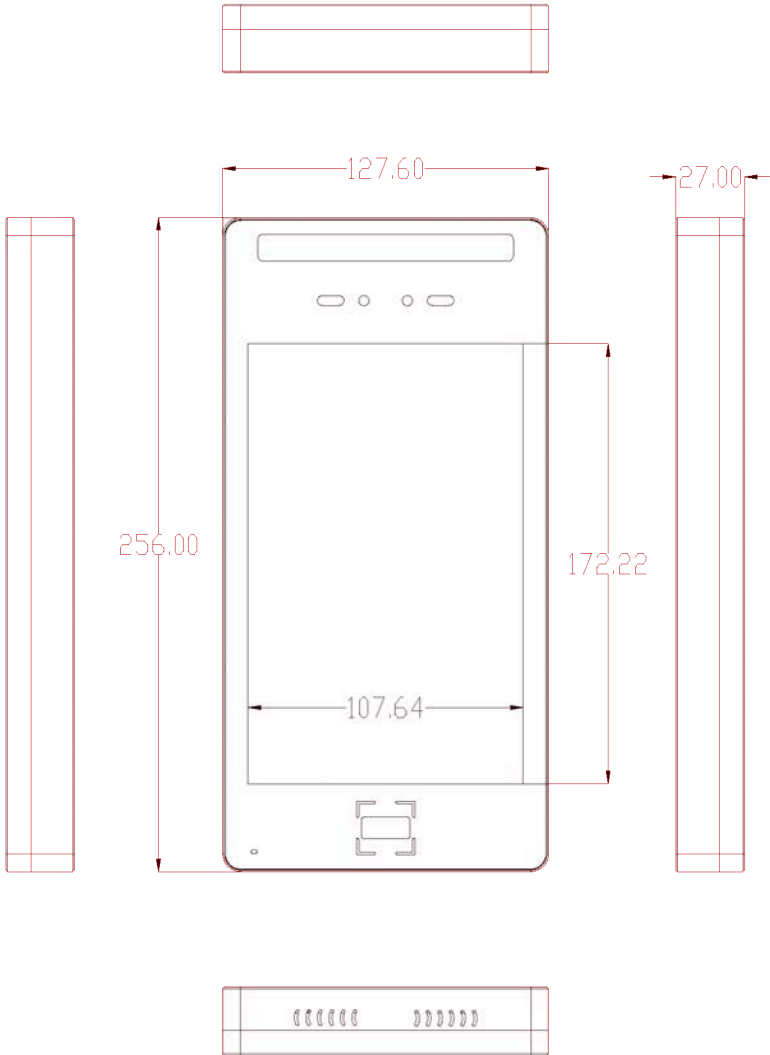
2. SPECIFICATIONS

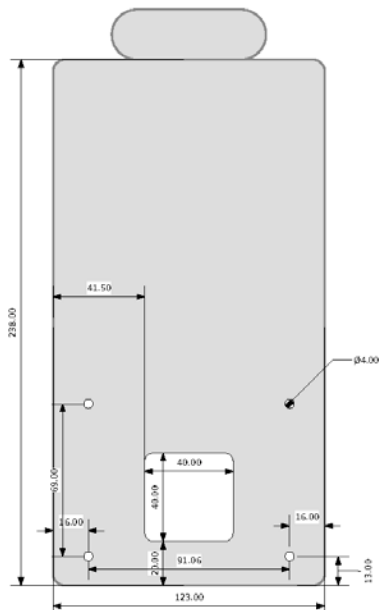
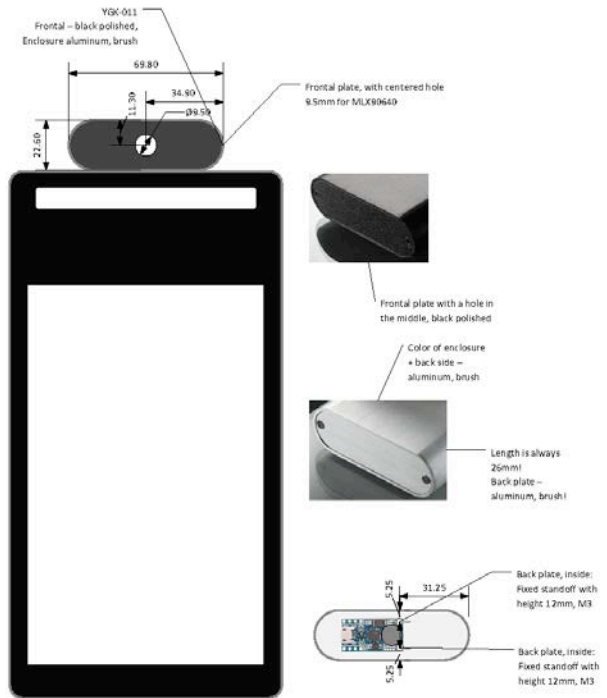
THERMO-SCAN Face X2			
PRODUCT	Model	Thermo-Scan Face X1 V1.0	
SCREEN	Size	8-inch, full-view, IPS LCD screen	
	Resolution	800 × 1280	
BINOCULAR CAMERA	Type	RGB camera	IR camera
	Sensor	1/2.7" CMOS	1/2.7" CMOS
	Pixel	2 million pixels (1920×1080)	2 million pixels (1920×1080)
	Minimum illumination	≥0.1LUX at F1.8	≥0.1LUX at F1.8
	Frame rate	30fps	30fps
	Signal to noise ratio	≥45dB	≥45dB
	Output format White balance	MIPI 8bit YUV422	MIPI 8bit YUV422
	White balance	Automatic	Automatic
	Wide dynamic	≥100dB wider dynamic range suitable for various complex light environment	-
	Vertical wide angle		
	Horizontal wide angle		

THERMAL CAMERA	Type	Matrix Thermometric Thermal Imager	
	Model	MLX90640	HTPA32x32dRIL5.0/0.85F7.7eHiC HEIMANN Sensor (optional)
	Accuracy	0,3 degrees	0,1 degrees
	Detection speed	0,3ms	0,4ms
	Field of view angle	55x35 deg	33x33 deg
Feature	CPU	RK3399 six-core 64-bit 1.8GHZ processor(Dual-core Cortex-A72+ Quad-core Cortex-A53)	
	RAM	2GB LPDDR4	
	Storage	16GB eMMC, Support TF card expansion	
	Fill light	White fill light, IR fill light, Red and green indicator light	
	Wireless network	2.4GHz WiFi, support 802.11 b/g/n protocol, 3G/4G LTE ne	
	Wired network	10 / 100M Ethernet	
	Distance sensing	Radar distance sensing (sensing distance 0.2-4m)	
	MIC	Digital noise reduction audio, High-sensitive capacitor mic	
	Card reading	NFC / IC card reading function, non-contact IC card confo	
	QR code recognition	QR code/ Barcode recognition function, quickly and easily	
INTERFACE	Wiegand interface	Support Wiegand 26 (shared with RS485, switched by rele	
	USB	USB2.0Hostx1, USB2.0OTGx1	
	RJ45	RJ45(10 / 100M Ethernet)	
	Power	DC 5.5mm*2.5mm	
SOFTWARE	Operating système	Androïd	
	Thermal App	Eylights operating APP V1.0.0	

OTHER	Power	DC 12V-2A
	Power consumption	22W MAX
	Operating temperature	0°C-60°C
	Operating humidity	10%-90 %
	Size	238mm × 123.6mm × 27mm
	Mounting type	Wall mounted、Desktop mounted 、 Column mounted

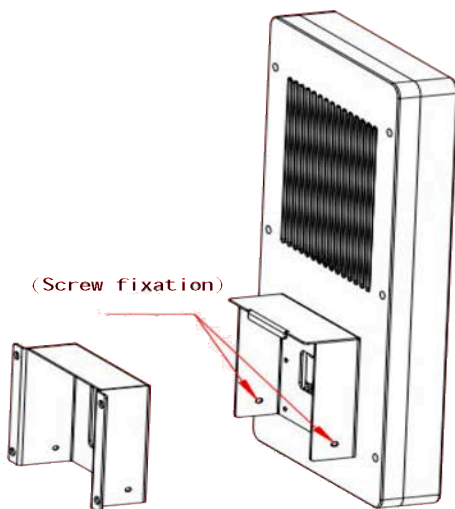
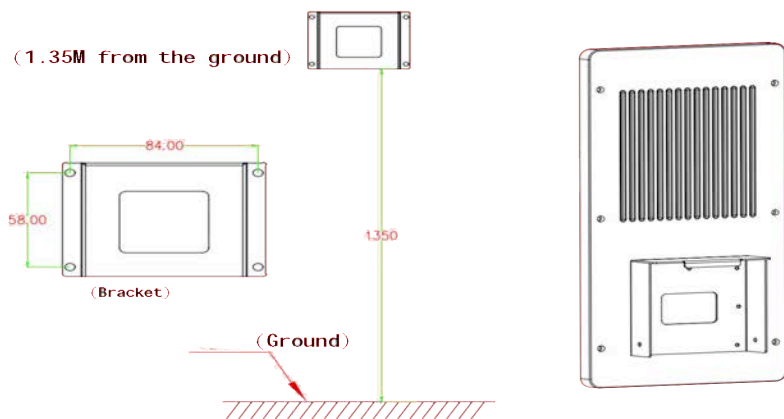
3. SIZE



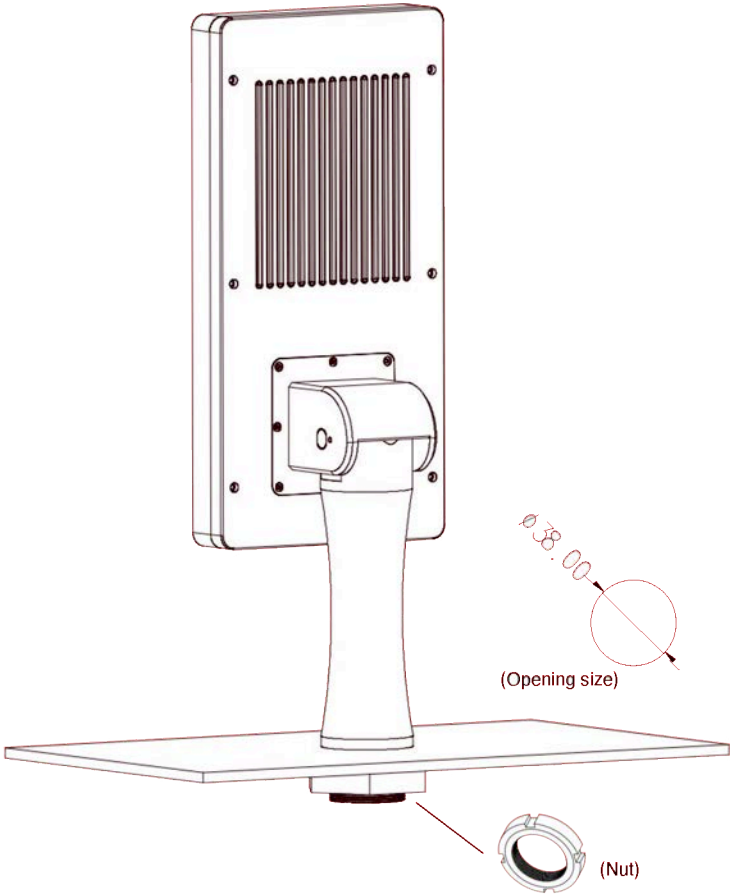


4. MOUNTING TYPE

- Wall mounted



Column mounted



5. ABOUT US

EYELIGHTS is a Swiss company based in Geneva, who brings you a true revolution in communication, marketing, sales and control system.

Eyelights is Optimistic with the transition of technology, we have the infrastructure, skills and tools with digital solutions to embrace the digital era. We have the ability to do the right platform helping you to adapt and grow with the change in a mobilizing industry.

We are technological innovators, committed to the digital transition, we have designed a self detection body temperature terminal to prevent the spread and protect people against COVID-19.

Eyelights provide you IT services in addition to its role in technology research.



Rue des Sablières 1Bis
1217 Meyrin (GE)
SWITZERLAND
+41 22 753 81 21
www.eyelights.ch